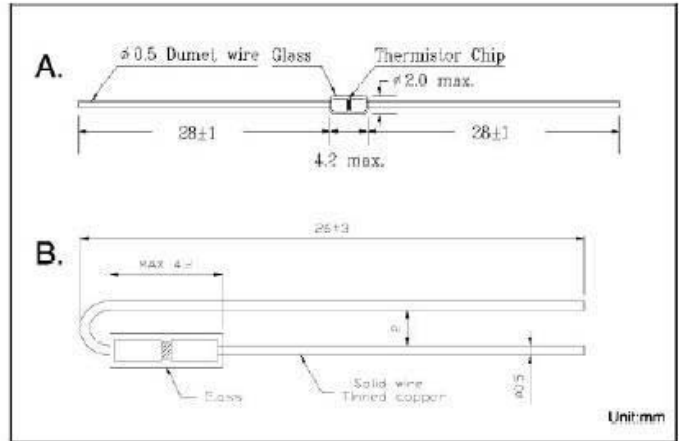




啟心實業 ALLGUY International Co., Ltd.  
 TEL: (886)2-2278 2226 FAX: (886)2-2278 3558  
 三重市重新路 5 段 609 巷 18 號 3F-5 (海城園區)  
 E-Mail: sales@newtouch.com.tw  
 http://www.newtouch.com.tw

# Diode Type Thermistors

DT Series



## FEATURES:

- High stability and best price.
- Excellent thermal cycle endurance
- Glass sealed body for high reliability.
- RoHS exemption
- UL1434 Certification

The DT series thermistor is a thermal sensor in a DO35 package. It is highly reliable and offers a wide operating range of  $-50^{\circ}\text{C}$  to  $250^{\circ}\text{C}$ . They can be employed for home electric appliances and high temperature applications.

## SPECIFICATIONS

Temperature ranges	$-50^{\circ}\text{C}$ to $250^{\circ}\text{C}$
$R_{25}$ :	5,000 ohms 10,000 ohms 15,000 ohms 20,000 ohms 30,000 ohms 47,000 ohms 50,000 ohms 100,000 ohms 200,000 ohms 500,000 ohms
Rated Zero-power resistance value at $25^{\circ}\text{C}$	
Tolerances	$\pm 1\%$ $\pm 3\%$ $\pm 5\%$

**B value:** 3270K, 3450K, 3695K, 3977K, 4080K, 4262K, 4391K

Determined by rated zero-power resistance at  $25^{\circ}\text{C}$  and  $85^{\circ}\text{C}$

Tolerances  $\pm 1\%$   $\pm 2\%$

Dissipation constant Min. 2.4 mW/  $^{\circ}\text{C}$

Thermal time constant Max. 3 seconds in still air

Maximum power rating 250 mW (at  $25^{\circ}\text{C}$ )

## Ordering Map

