

Power Type

NL Series



Features

- High capacitance and low-resistance
- Quick charge & discharge
- Environmentally friendly products
- RoHS compliant
- UL recognized

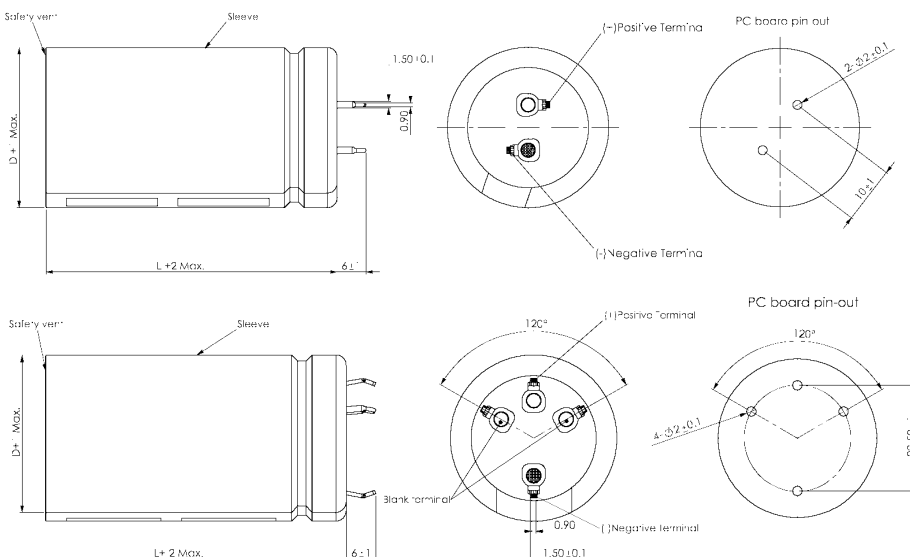
Recommended Applications

- Pulse power demand
- Hybrid battery packs
- Power tools

Specification

Items	Characteristics		
Rated Voltage	2.7 V		
Surge Voltage	2.85 V		
Capacitance Tolerance	-20 % / +20 %		
Operating Temperature	-40 °C to 65 °C		
Storage Temperature	-40 °C to 70 °C		
Endurance	1000hr @65°C at Rated Voltage	△C	Within ±30% of initial measured value
		ESR	Within 2 times of initial specified value
Life time	10y @ 25 °C at Rated Voltage	△C	Within ±30% of initial measured value
		ESR	Within 2 times of initial specified value
Cycle Life	500k cycles	△C	Within ±30% of initial measured value
		ESR	Within 2 times of initial specified value
Cycle: between specified voltage and half voltage under constant current at 25°C			

Dimensions



Size List

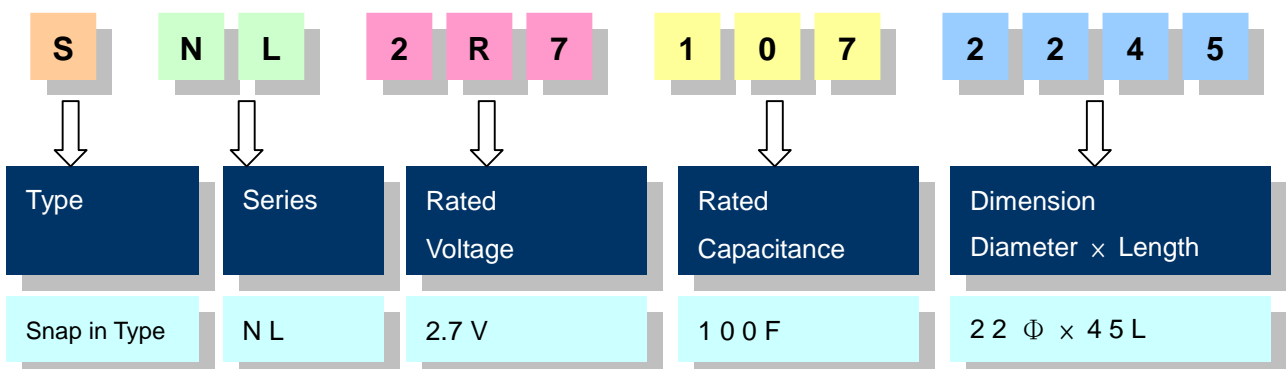
Size	D	L
22x45	22	45
22x50	22	50
25x50	25	50
30x50	30	50
35x50	35	50
35x55	35	55
35x60	35	60



Standard Ratings

Rated Cap (F) measure at 25°C	Size (mm) ΦDXL	Internal Resistance (mΩ)		LC (mA) 72hrs 25°C	Stored Energy (Wh)	Specific Energy		Specific Power		Max. Current 1s to 1/2V (A)	ISC (A)	Weight (g)	Part Number
		AC (1kHz)	DC			(Wh/kg)	(Wh/l)	Pd (W/kg)	Pmax (W/kg)				
100	22X45	9	15	0.26	0.1013	4.6023	5.9220	2651	9205	54.000	180	22	SNL2R71072245
120	22X50	7	14	0.26	0.1215	4.8600	6.3957	2499	10414	60.448	193	25	SNL2R71272250
150	25X50	7	14	0.50	0.1519	4.7461	6.1911	1953	8136	65.323	193	32	SNL2R71572550
200	30X50	7	13	0.60	0.2025	4.8214	5.7325	1602	6199	75.000	208	42	SNL2R72073050
300	35X50	7	13	0.80	0.3038	5.3289	6.3174	1181	4568	82.653	208	57	SNL2R73073550
350	35X55	7	13	1.00	0.3544	5.3693	6.7003	1020	3945	85.135	208	66	SNL2R73573555
400	35X60	5	12	1.20	0.4050	5.5862	7.0194	1006	5028	93.103	225	72.5	SNL2R74073560

Part Numbering System





Power Type

NL Series



Features

- High capacitance and low-resistance
- Quick charge & discharge
- Environmentally friendly products
- RoHS compliant
- UL recognized

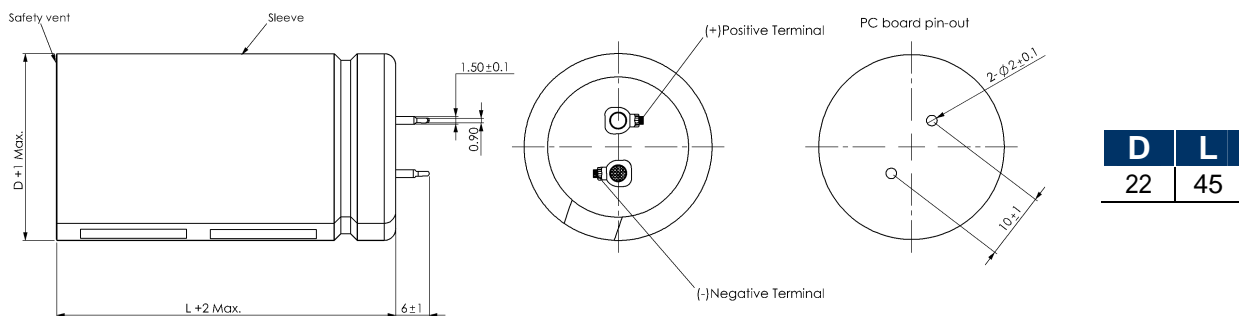
Recommended Applications

- Pulse power demand
- Hybrid battery packs
- Power tools

Specification

Items	Characteristics		
Rated Voltage	2.7 V		
Surge Voltage	2.85 V		
Capacitance Tolerance	-20 % / +20 %		
Operating Temperature	-40 °C to 65 °C		
Storage Temperature	-40 °C to 70 °C		
Endurance	1000hr @65°C at Rated Voltage	△C	Within ±30% of initial measured value
		ESR	Within 2 times of initial specified value
Life time	10y @ 25 °C at Rated Voltage	△C	Within ±30% of initial measured value
		ESR	Within 2 times of initial specified value
Cycle Life	500k cycles	△C	Within ±30% of initial measured value
		ESR	Within 2 times of initial specified value
Cycle: between specified voltage and half voltage under constant current at 25°C			

Dimensions



Standard Ratings

Rated Cap (F) measure at 25°C	Size (mm) ΦDXL	Internal Resistance (mΩ)		LC (mA) 72hrs, 25°C	Stored Energy (Wh)	Specific Energy		Specific Power		Max. Current 1s to 1/2V (A)	Isc (A)	Weight (g)	Part Number
		AC (1kHz)	DC			(Wh/kg)	(Wh/l)	Pd (W/kg)	Pmax (W/kg)				
100	22X45	9	15	0.26	0.1013	4.6023	5.9220	2651	9205	54.000	180	22	SNL2R71072245

Power Type

NL Series



Features

- High capacitance and low-resistance
- Quick charge & discharge
- Environmentally friendly products
- RoHS compliant
- UL recognized

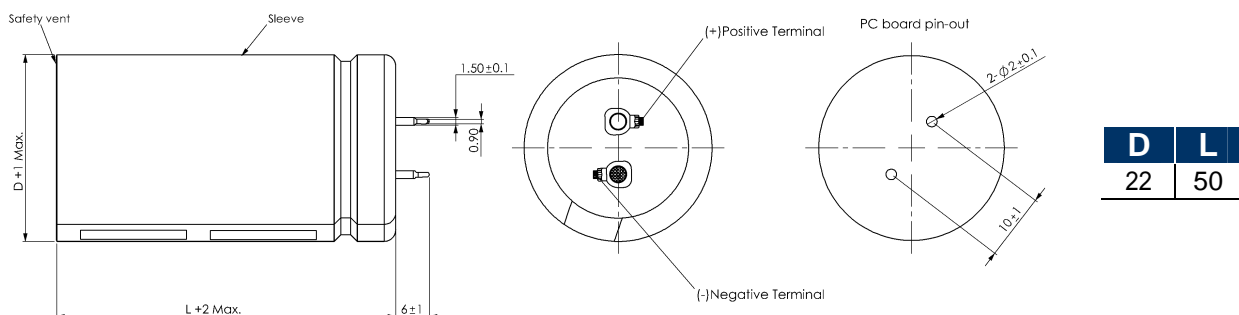
Recommended Applications

- Pulse power demand
- Hybrid battery packs
- Power tools

Specification

Items	Characteristics		
Rated Voltage	2.7 V		
Surge Voltage	2.85 V		
Capacitance Tolerance	-20 % / +20 %		
Operating Temperature	-40 °C to 65 °C		
Storage Temperature	-40 °C to 70 °C		
Endurance	1000hr @65°C at Rated Voltage	△C	Within ±30% of initial measured value
		ESR	Within 2 times of initial specified value
Life time	10y @ 25 °C at Rated Voltage	△C	Within ±30% of initial measured value
		ESR	Within 2 times of initial specified value
Cycle Life	500k cycles	△C	Within ±30% of initial measured value
		ESR	Within 2 times of initial specified value
Cycle: between specified voltage and half voltage under constant current at 25°C			

Dimensions



Standard Ratings

Rated Cap (F) measure at 25°C	Size (mm) ΦDXL	Internal Resistance (mΩ)		LC (mA) 72hrs, 25°C	Stored Energy (Wh)	Specific Energy		Specific Power		Max. Current 1s to 1/2V (A)	I _{SC} (A)	Weight (g)	Part Number
		AC (1kHz)	DC			(Wh/kg)	(Wh/l)	P _d (W/kg)	P _{max} (W/kg)				
120	22X50	7	14	0.26	0.1215	4.8600	6.3957	2499	10414	60.448	193	25	SNL2R71272250

Power Type

NL Series



Features

- High capacitance and low-resistance
- Quick charge & discharge
- Environmentally friendly products
- RoHS compliant
- UL recognized

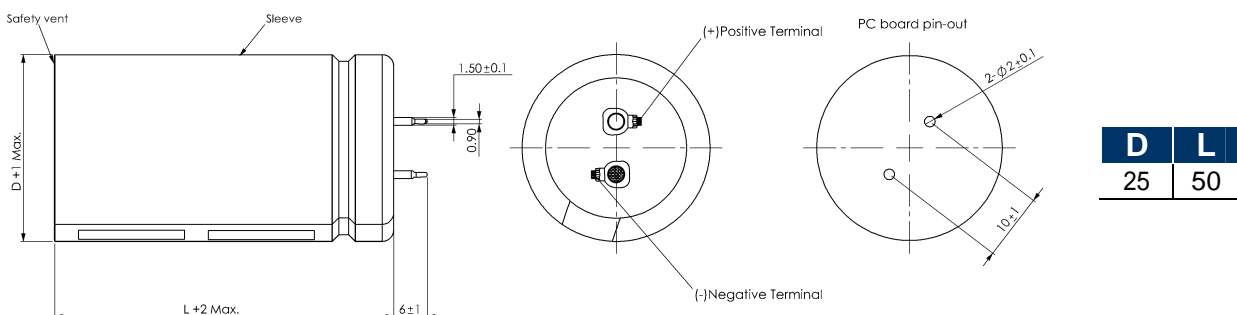
Recommended Applications

- Pulse power demand
- Hybrid battery packs
- Power tools

Specification

Items		Characteristics	
Rated Voltage	2.7 V		
Surge Voltage	2.85 V		
Capacitance Tolerance	-20 % / +20 %		
Operating Temperature	-40 °C to 65 °C		
Storage Temperature	-40 °C to 70 °C		
Endurance	1000hr @65°C at Rated Voltage	△C	Within ±30% of initial measured value
		ESR	Within 2 times of initial specified value
Life time	10y @ 25 °C at Rated Voltage	△C	Within ±30% of initial measured value
		ESR	Within 2 times of initial specified value
Cycle Life	500k cycles	△C	Within ±30% of initial measured value
		ESR	Within 2 times of initial specified value
Cycle: between specified voltage and half voltage under constant current at 25°C			

Dimensions



Standard Ratings

Rated Cap (F) measure at 25°C	Size (mm) ΦDXL	Internal Resistance (mΩ)		LC (mA) 72hrs, 25°C	Stored Energy (Wh)	Specific Energy		Specific Power		Max. Current 1s to 1/2V (A)	Isc (A)	Weight (g)	Part Number
		AC (1kHz)	DC			(Wh/kg)	(Wh/l)	Pd (W/kg)	Pmax (W/kg)				
150	25X50	7	14	0.50	0.1519	4.7461	6.1911	1953	8136	65.323	193	32	SNL2R71572550



Power Type

NL Series



Features

- High capacitance and low-resistance
- Quick charge & discharge
- Environmentally friendly products
- RoHS compliant
- UL recognized

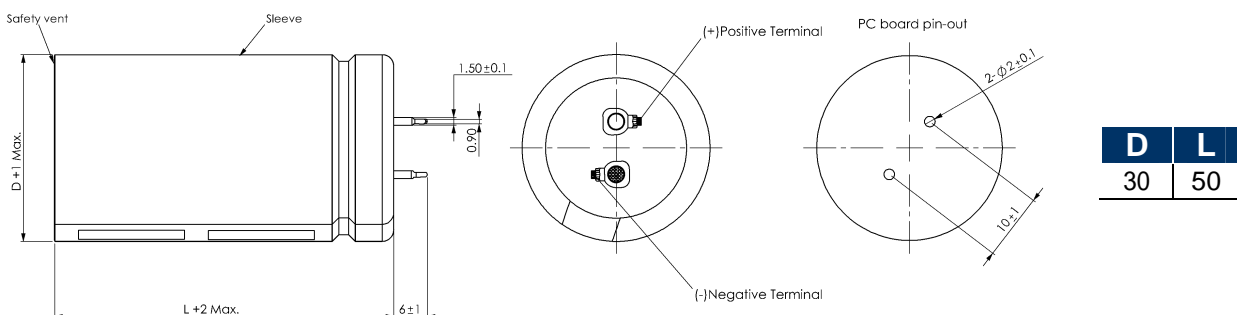
Recommended Applications

- Pulse power demand
- Hybrid battery packs
- Power tools

Specification

Items	Characteristics		
Rated Voltage	2.7 V		
Surge Voltage	2.85 V		
Capacitance Tolerance	-20 % / +20 %		
Operating Temperature	-40 °C to 65 °C		
Storage Temperature	-40 °C to 70 °C		
Endurance	1000hr @65°C at Rated Voltage	△C	Within ±30% of initial measured value
		ESR	Within 2 times of initial specified value
Life time	10y @ 25 °C at Rated Voltage	△C	Within ±30% of initial measured value
		ESR	Within 2 times of initial specified value
Cycle Life	500k cycles	△C	Within ±30% of initial measured value
		ESR	Within 2 times of initial specified value
Cycle: between specified voltage and half voltage under constant current at 25°C			

Dimensions



Standard Ratings

Rated Cap (F) measure at 25°C	Size (mm) ΦDXL	Internal Resistance (mΩ)		LC (mA) 72hrs, 25°C	Stored Energy (Wh)	Specific Energy		Specific Power		Max. Current 1s to 1/2V (A)	Isc (A)	Weight (g)	Part Number
		AC (1kHz)	DC			(Wh/kg)	(Wh/l)	Pd (W/kg)	Pmax (W/kg)				
200	30X50	7	13	0.60	0.2025	4.8214	5.7325	1602	6199	75.000	208	42	SNL2R72073050



Power Type

NL Series



Features

- High capacitance and low-resistance
- Quick charge & discharge
- Environmentally friendly products
- RoHS compliant
- UL recognized

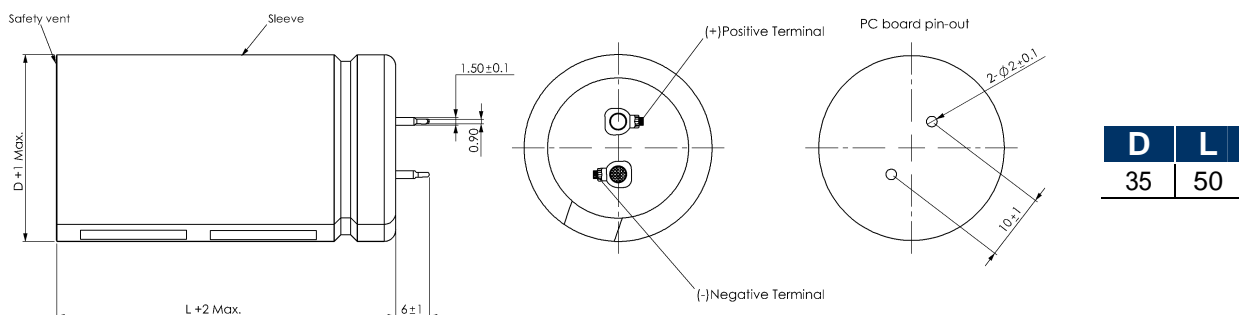
Recommended Applications

- Pulse power demand
- Hybrid battery packs
- Power tools

Specification

Items		Characteristics	
Rated Voltage	2.7 V		
Surge Voltage	2.85 V		
Capacitance Tolerance	-20 % / +20 %		
Operating Temperature	-40 °C to 65 °C		
Storage Temperature	-40 °C to 70 °C		
Endurance	1000hr @65°C at Rated Voltage	△C	Within ±30% of initial measured value
		ESR	Within 2 times of initial specified value
Life time	10y @ 25 °C at Rated Voltage	△C	Within ±30% of initial measured value
		ESR	Within 2 times of initial specified value
Cycle Life	500k cycles	△C	Within ±30% of initial measured value
		ESR	Within 2 times of initial specified value
Cycle: between specified voltage and half voltage under constant current at 25°C			

Dimensions



Standard Ratings

Rated Cap (F) measure at 25°C	Size (mm) ΦDXL	Internal Resistance (mΩ)		LC (mA) 72hrs, 25°C	Stored Energy (Wh)	Specific Energy		Specific Power		Max. Current 1s to 1/2V (A)	Isc (A)	Weight (g)	Part Number
		AC (1kHz)	DC			(Wh/kg)	(Wh/l)	Pd (W/kg)	Pmax (W/kg)				
300	35X50	7	13	0.80	0.3038	5.3289	6.3174	1181	4568	82.653	208	57	SNL2R73073550

Power Type

NL Series



Features

- High capacitance and low-resistance
- Quick charge & discharge
- Environmentally friendly products
- RoHS compliant
- UL recognized

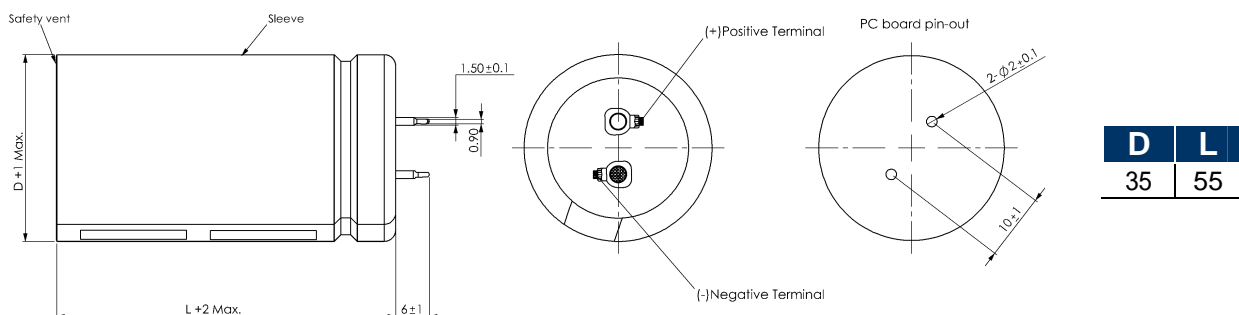
Recommended Applications

- Pulse power demand
- Hybrid battery packs
- Power tools

Specification

Items	Characteristics		
Rated Voltage	2.7 V		
Surge Voltage	2.85 V		
Capacitance Tolerance	-20 % / +20 %		
Operating Temperature	-40 °C to 65 °C		
Storage Temperature	-40 °C to 70 °C		
Endurance	1000hr @65°C at Rated Voltage	△C	Within ±30% of initial measured value
		ESR	Within 2 times of initial specified value
Life time	10y @ 25 °C at Rated Voltage	△C	Within ±30% of initial measured value
		ESR	Within 2 times of initial specified value
Cycle Life	500k cycles	△C	Within ±30% of initial measured value
		ESR	Within 2 times of initial specified value
Cycle: between specified voltage and half voltage under constant current at 25°C			

Dimensions



Standard Ratings

Rated Cap (F) measure at 25°C	Size (mm) ΦDXL	Internal Resistance (mΩ)		LC (mA) 72hrs, 25°C	Stored Energy (Wh)	Specific Energy		Specific Power		Max. Current 1s to 1/2V (A)	Isc (A)	Weight (g)	Part Number
		AC (1kHz)	DC			(Wh/kg)	(Wh/l)	Pd (W/kg)	Pmax (W/kg)				
350	35X55	7	13	1.00	0.3544	5.3693	6.7003	1020	3945	85.135	208	66	SNL2R73573555

Power Type

NL Series



Features

- High capacitance and low-resistance
- Quick charge & discharge
- Environmentally friendly products
- RoHS compliant
- UL recognized

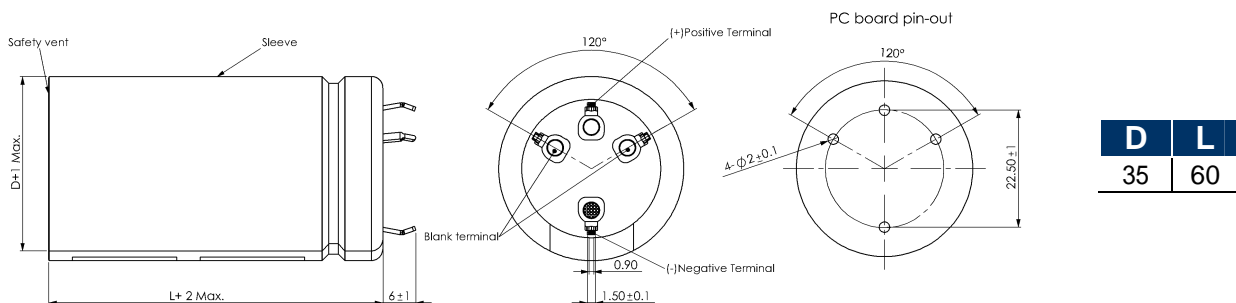
Recommended Applications

- Pulse power demand
- Hybrid battery packs
- Power tools

Specification

Items	Characteristics		
Rated Voltage	2.7 V		
Surge Voltage	2.85 V		
Capacitance Tolerance	-20 % / +20 %		
Operating Temperature	-40 °C to 65 °C		
Storage Temperature	-40 °C to 70 °C		
Endurance	1000hr @65°C at Rated Voltage	△C	Within ±30% of initial measured value
		ESR	Within 2 times of initial specified value
Life time	10y @ 25 °C at Rated Voltage	△C	Within ±30% of initial measured value
		ESR	Within 2 times of initial specified value
Cycle Life	500k cycles	△C	Within ±30% of initial measured value
		ESR	Within 2 times of initial specified value
Cycle: between specified voltage and half voltage under constant current at 25°C			

Dimensions



Standard Ratings

Rated Cap (F) measure at 25°C	Size (mm) ΦDXL	Internal Resistance (mΩ)		LC (mA) 72hrs, 25°C	Stored Energy (Wh)	Specific Energy		Specific Power		Max. Current 1s to 1/2V (A)	I _{SC} (A)	Weight (g)	Part Number
		AC (1kHz)	DC			(Wh/kg)	(Wh/l)	P _d (W/kg)	P _{max} (W/kg)				
400	35X60	5	12	1.20	0.4050	5.5862	7.0194	1006	5028	93.103	225	72.5	SNL2R74073560