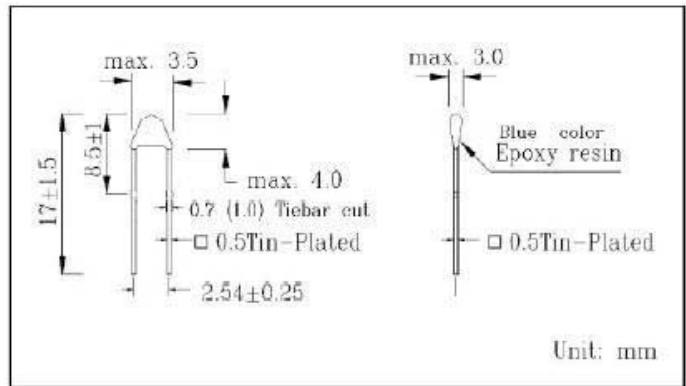




啟心實業 ALLGUY International Co., Ltd.  
 TEL: (886)2-2278 2226 FAX: (886)2-2278 3558  
 三重市重新路 5段 609 巷 18 號 3F-5 (湯城園區)  
 E-Mail: sales@newtouch.com.tw  
 http://www.newtouch.com.tw

# High-Precision AT Type NTC Thermistors

HAT Series



**FEATURES:**

- Low cost, high stability
- Excellent thermal cycle endurance
- No adjust between the control circuit and the sensor
- RoHS Compliance

The HAT series thermistor is a high-precision thermal sensing device. They have small B-value tolerance and resistance. They insure temperature precision of  $\pm 0.3^\circ\text{C}$  and can be employed for very accurate temperature control or compensation. They are also useful for insert to PCB in the constant length.

SPECIFICATIONS	
<b>Temperature ranges</b>	-50°C to 110°C
<b>R<sub>25</sub> :</b>	
<b>Rated Zero-power resistance value at 25 °C</b>	1,000 ohms 2,000 ohms 5,000 ohms 10,000 ohms 20,000 ohms 47,000 ohms
<b>Tolerances</b>	$\pm 1\%$ , $\pm 3\%$ , $\pm 5\%$
<b>B value:</b>	3100K - 4665K
<b>Determined by rated zero-power resistance at 25 °C and 85 °C</b>	
<b>R/T curve</b>	HAT series thermistors are available in all R/T curve materials. Detailed curve information on pages 24-26.
<b>Tolerances</b>	$\pm 1\%$
<b>Dissipation constant</b>	2 mW/ °C
<b>Thermal time constant</b>	Typically 3 seconds in air
<b>Maximum power rating</b>	10 - 15 mW (at 25 °C )

**Ordering Map**

